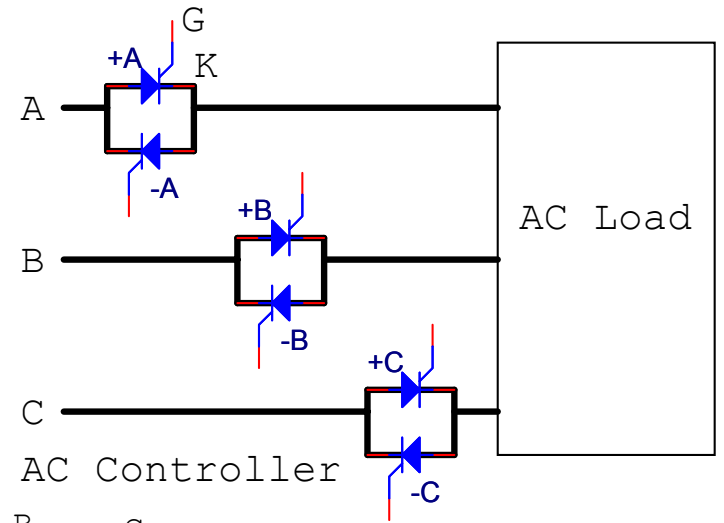
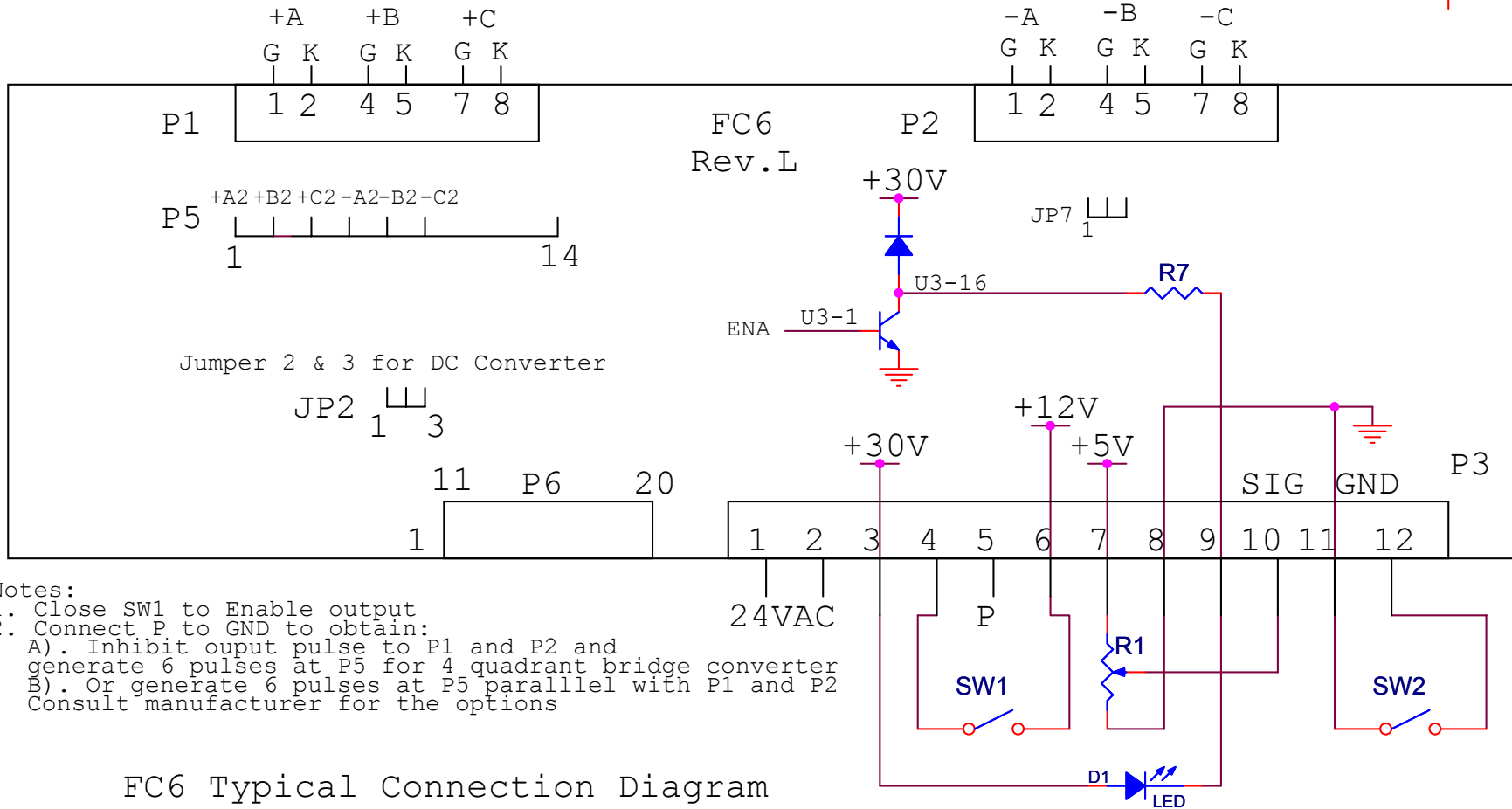


1. DC Converter



2. AC Controller



- Notes:
1. Close SW1 to Enable output
 2. Connect P to GND to obtain:
 - A). Inhibit output pulse to P1 and P2 and generate 6 pulses at P5 for 4 quadrant bridge converter
 - B). Or generate 6 pulses at P5 parallel with P1 and P2
 Consult manufacturer for the options

FC6 Typical Connection Diagram