

Fig. 1. 4 SCR DC Converter

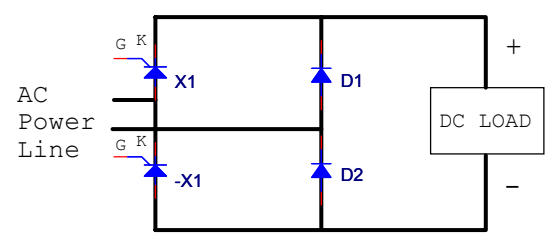


Fig. 2. 2 SCRs--2 Diode DC Converter

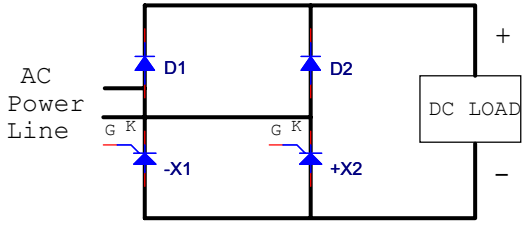


Fig. 3. 2 SCRs--2 Diode DC Converter

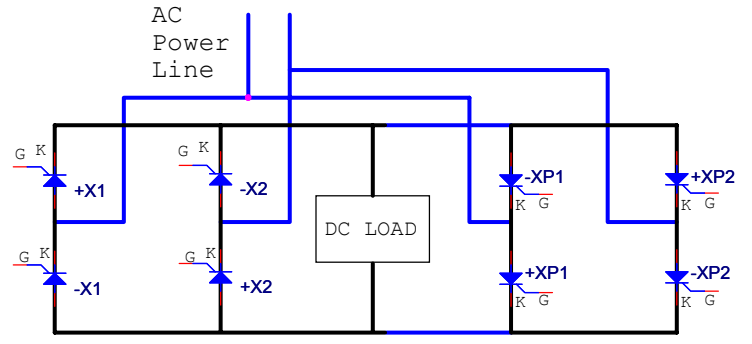


Fig. 6. 8 SCR 4 Quadrant Bridge Converter

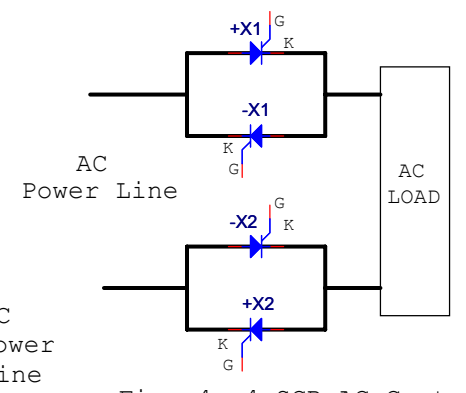


Fig. 4. 4 SCR AC Controller

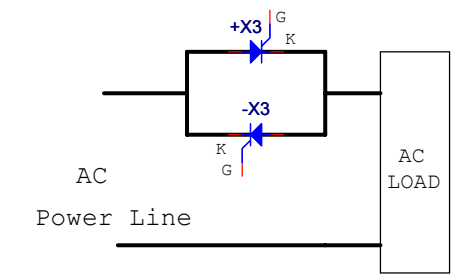
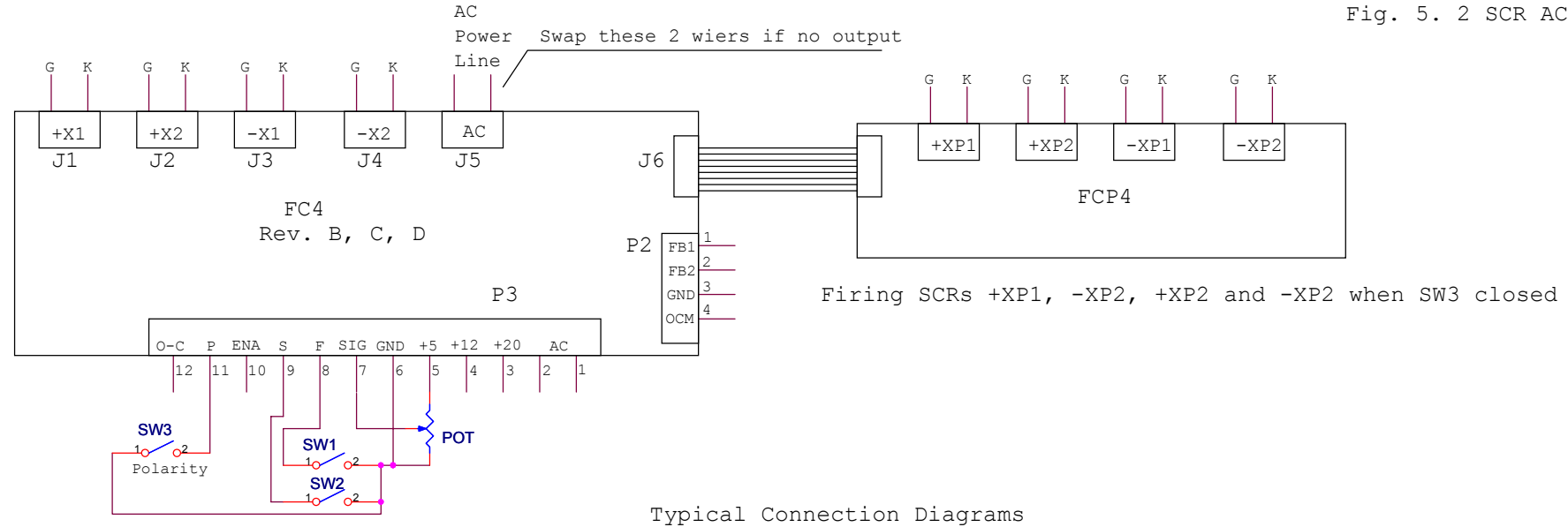


Fig. 5. 2 SCR AC Controller



Typical Connection Diagrams